



## 2205

Telehandlers < 6,0 m



### Compact design meets performance: Telehandler 2205

The 2205 compact telehandler offers a unique combination of lift height, machine width and performance as well as a perfect interplay of powerful engine output and outstanding manoeuvrability. Stacking and transport work is fast and easy, even in the tightest of spaces. Precise work becomes child's play thanks to the sensitive work hydraulics.

- Innovative driver assistance system: Smart Handling
- Powerful hydrostatic drive system
- Precise and sensitive work hydraulics
- Over 5 meters of stacking height
- Superb all-round visibility



## 2205

Telehandlers < 6,0 m

### Technical specifications

#### Operating data

Bucket capacity	0.71 m <sup>3</sup>
Operating weight	4,200 kg
Turning radius Tyres	3,281 mm

#### Engine / Motor

Engine / Motor manufacturer	Perkins
Engine performance at 2,800 rpm	36.3 kW

#### Power transmission

Traction drive	Hydrostatic
Travel speed Stage 1:	7 km/h
Travel speed Stage 2:	20 km/h
Service brake central	Parking brake on all four wheels effective
Differential lock	100% connectable
Standard tires	10.5/80-18 AS ET0

#### Steering and operating hydraulics

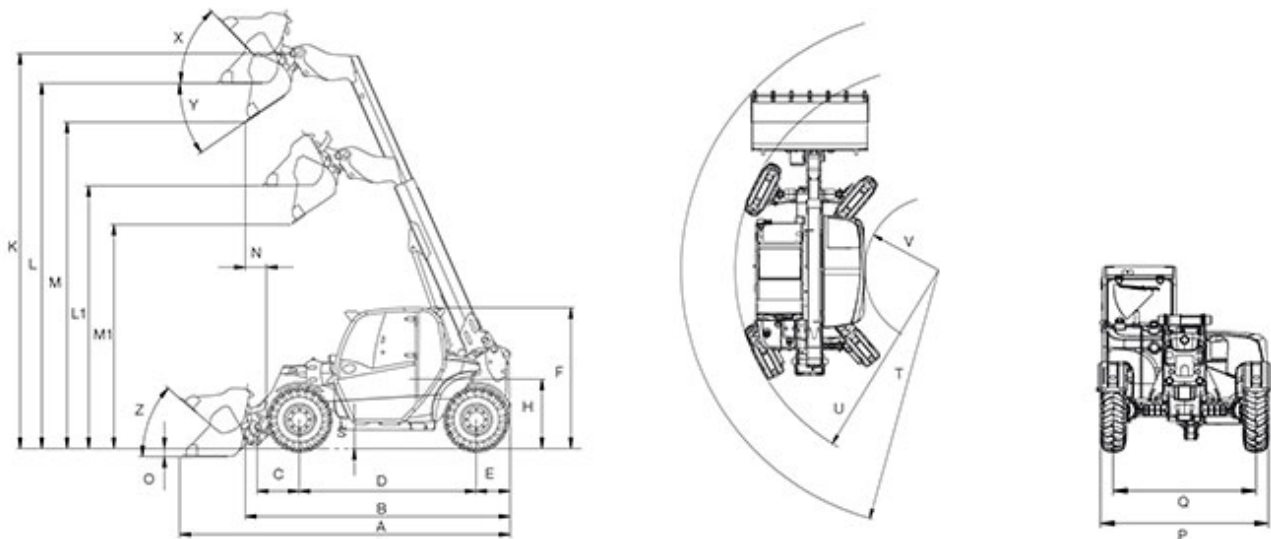
Steering angle	2 x 40 °
Flow rate	70 l/min
Pressure	225 bar
Flow rate optional	106 l/min

#### Kinematics

Payload max.	2,200 kg
Lift height Pin height	5,471 mm



## Dimensions



	Width max.	1,900 mm
A	Length incl. tool frame	4,576 mm
B	Length with standard bucket	3,747 mm
	Track width	1,530 mm
C	Center of front axle to tip of teeth	581 mm
D	Wheelbase	2,449 mm
E	Rear overhang	472 mm
F	Height	1,950 mm
H	Seat height	962 mm
L1	Overhead loading height	3,638 mm
L	Overhead loading height	5,056 mm
M1	Dumping height	3,103 mm
M	Dumping height	4,520 mm



N	Dump reach	293 mm
O	Scraping depth	111 mm
P	Width	1,808 mm
Q	Track width	1,530 mm
S	Ground clearance	256 mm
T	Radius	4,153 mm
U	Radius	3,281 mm
V	Inside turning radius	1,193 mm
X	Reverse roll angle	46.5 °
Y	Tip-out angle	34.5 °
Z	Reverse roll angle	41 °
	Stack height	5,156 mm
	Turning radius	3,281 mm

**Information on suitable accessories can be found on our website.**

The right to make changes is reserved in the interests of ongoing further developments. You can find more information on the engine power in the operator's manual. The actual power output figures may vary due to specific operating conditions.

Information on suitable accessories can be found on our website. More detailed information on engine power can be found in the operator's manual; the stated power may vary due to specific operating conditions. Subject to alterations and errors excepted. Applicable also to illustrations. Copyright © 2017 Kramer-Werke GmbH.