



2706

Telehandlers < 6,0 m



The compact genius amongst telescopic wheel loaders

With their compact dimensions, Kramer telescotics open up a wide range of applications across many industries. The efficient machines impress with their dynamic all-wheel drive, high payload, high degree of manoeuvrability and low charge weight.

- Smart Handling driver assist system
- Efficient drive and low operating costs
- Modern comfort cab with panoramic windscreen and all-in-one joystick for maximum driver comfort
- Extremely robust design of the frame and loading system
- Variety of options for a large range of uses



2706

Telehandlers < 6,0 m

Technical specifications

Operating data

Bucket capacity	0.85 m ³
Operating weight	5,000 kg
Turning radius	3,670 mm

Engine / Motor

Engine / Motor manufacturer	Kohler
Engine performance	55.4 kW

Power transmission

Traction drive	Hydrostatic
Travel speed max	20 km/h
Travel speed optional	30 km/h
Service brake	Parking brake on all four wheels effective
Differential lock	100% connectable
Standard tires	12.5-18 MPT01

Steering and operating hydraulics

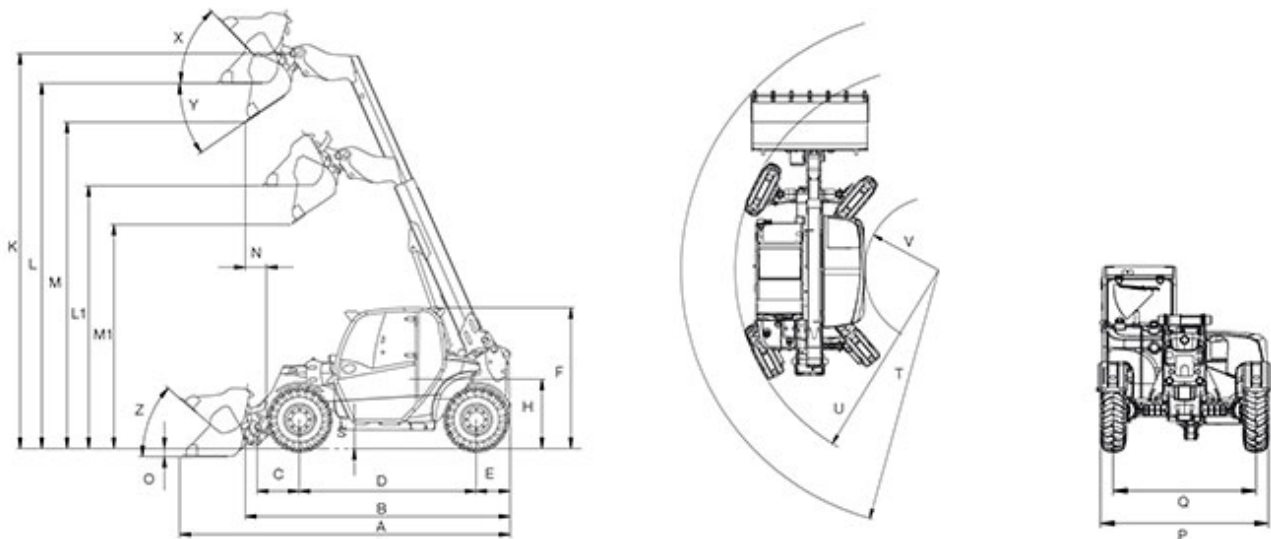
Steering angle	2x38 °
Flow rate	90 l/min
Pressure	240 bar

Kinematics

Payload max	2,700 kg
Lift height	5,730 mm



Dimensions



	Width	1,960 mm
A	Length (without attachment)	4,958 mm
B	Length	4,400 mm
C	Center of front axle to tip of teeth	1,030 mm
D	Wheelbase (middle)	2,650 mm
E	Rear overhang	720 mm
F	Height	1,980 mm
H	Seat height	1,025 mm
L1	Overhead loading height (extended)	3,730 mm
L	Overhead loading height	5,600 mm
M1	Dumping height (extended)	3,450 mm
M	Dumping height	5,280 mm
N	Dump reach	680 mm



O	Scraping depth	150 mm
P	Width	1,960 mm
Q	Track width	1,660 mm
S	Ground clearance	250 mm
T	Radius	4,500 mm
U	Radius	3,670 mm
V	Inside turning radius	1,700 mm
X	Reverse roll angle (at ground)	45 °
Y	Tip-out angle (standard bucket)	40 °
Z	Reverse roll angle	45 °
	Stack height	5,730 mm
	Turning radius (wheels)	3,670 mm

Information on suitable accessories can be found on our website.

The right to make changes is reserved in the interests of ongoing further developments. You can find more information on the engine power in the operator's manual. The actual power output figures may vary due to specific operating conditions.

Information on suitable accessories can be found on our website. More detailed information on engine power can be found in the operator's manual; the stated power may vary due to specific operating conditions. Subject to alterations and errors excepted. Applicable also to illustrations. Copyright © 2017 Kramer-Werke GmbH.