



## 5007

Telehandlers > 6,0 m



### The most powerful Kramer telehandler ever

Kramer telehandlers show their strength under particularly harsh working conditions. Thanks to the load-sensing working hydraulics, they achieve fast work cycles. An infinitely variable drive system, cleverly designed maintenance access and enormous lift force up to 7 metres convince in daily use. The small outside turning radius thanks to the all-wheel steering and the fast loading cycles increase efficiency on site, even when space is limited.

- 4.8 tonne of payload and 7 metres lift height
- Low fuel consumption and high torque
- Variable Ecospeed transmission
- Very spacious panoramic cab provides maximum driver comfort and superb all-round visibility
- Extremely sturdy build quality thanks to the U-frame box section design and lateral guidance of the stabiliser



## 5007

Telehandlers > 6,0 m

### Technical specifications

#### Operating data

Bucket capacity	1 m <sup>3</sup>
Operating weight	10,000 kg

#### Engine / Motor

Engine / Motor manufacturer	Deutz
Engine performance	100 kW

#### Power transmission

Travel speed	20 km/h
Travel speed	30 km/h
Travel speed	40 km/h
Differential lock	100% VA zuststeuerbar
Standard tires	460/70-24

#### Steering and operating hydraulics

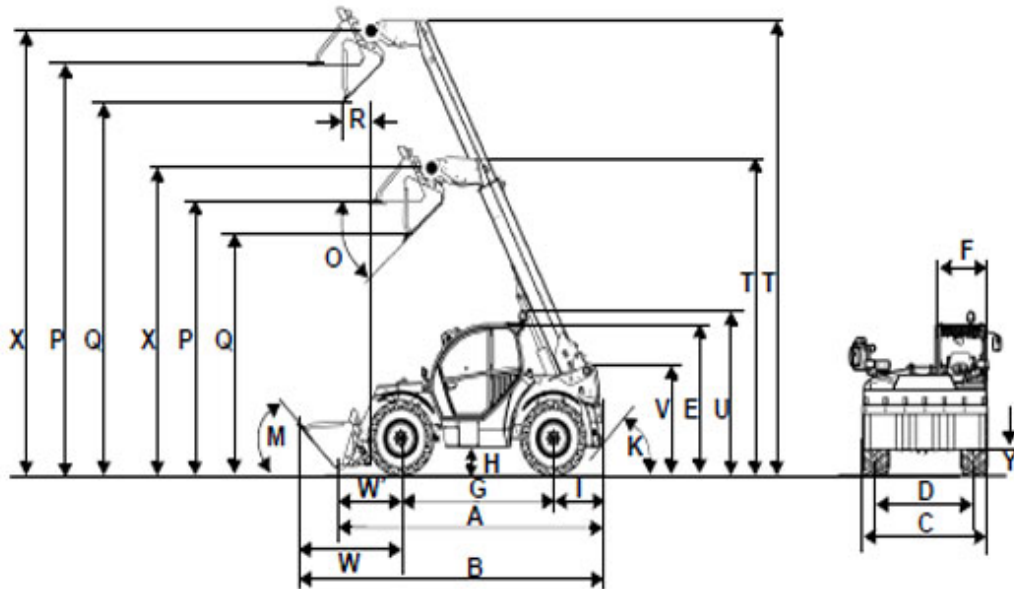
Flow rate	140 l/min
Pressure	260 bar

#### Kinematics

Payload	4,800 kg
Payload	3,500 kg
Payload	1,700 kg



## Dimensions



A	Length	4,985 mm
B	Length	6,160 mm
C	Width	2,500 mm
D	Track width	1,995 mm
E	Height	2,520 mm
F	Width	990 mm
G	Wheelbase	2,950 mm
H	Ground clearance	418 mm
I	Center of rear axle to end of vehicle	950 mm
K	Rear actuation angle	36.5 °
M	Tipping angle	45 °
O	Tip-out angle	41 °
P	Overhead loading height	4,518 mm



P	Overhead loading height	6,835 mm
Q	Dumping height	3,865 mm
Q	Dumping height	6,183 mm
R	Dump reach	495 mm
T	Length	5,287 mm
T	Length	7,604 mm
U	Height	2,710 mm
V	Height	1,761 mm
W	Distance	2,260 mm
W	Distance	753 mm
X	Height	5,092 mm
X	Height	7,409 mm
	Stack height	7,017 mm
	Turning radius	3,755 mm

**Information on suitable accessories can be found on our website.**

The right to make changes is reserved in the interests of ongoing further developments. You can find more information on the engine power in the operator's manual. The actual power output figures may vary due to specific operating conditions.

Information on suitable accessories can be found on our website. More detailed information on engine power can be found in the operator's manual; the stated power may vary due to specific operating conditions. Subject to alterations and errors excepted. Applicable also to illustrations. Copyright © 2017 Kramer-Werke GmbH.