



## 804

Telehandlers < 6,0 m



### **Big performance in the smallest spaces: The telehandler 804**

Check out the smallest telehandler on the market - the compact 804. The unique combination of lifting height, width and machine performance opens up new areas of application. With its all-wheel steering and compact design the 804 is extremely manoeuvrable. The 804's low operating weight makes it easy to transport between construction sites.

- Over 4 meters of lift height
- Small turning radius
- Innovative driver assistance system: Smart Handling
- Low net weight for easy trailer transport
- For application in confined spaces (width 1.42 meters; height 1.9 meters)



## 804

Telehandlers < 6,0 m

### Technical specifications

#### Operating data

|                      |                     |
|----------------------|---------------------|
| Bucket capacity      | 0.31 m <sup>3</sup> |
| Operating weight     | 2,300 kg            |
| Turning radius Tyres | 2,227 mm            |

#### Engine / Motor

|                                 |         |
|---------------------------------|---------|
| Engine / Motor manufacturer     | Yanmar  |
| Engine performance at 3,000 rpm | 19.2 kW |

#### Power transmission

|                       |  |
|-----------------------|--|
| Traction drive        | Hydrostatic                                |
| Travel speed Stage 1: | 7 km/h                                     |
| Travel speed Stage 2: | 17 km/h                                    |
| Service brake central | Parking brake on all four wheels effective |
| Differential lock     | 100% connectable                           |
| Standard tires        | 27 x 10.0-15 AS ET20                       |

#### Steering and operating hydraulics

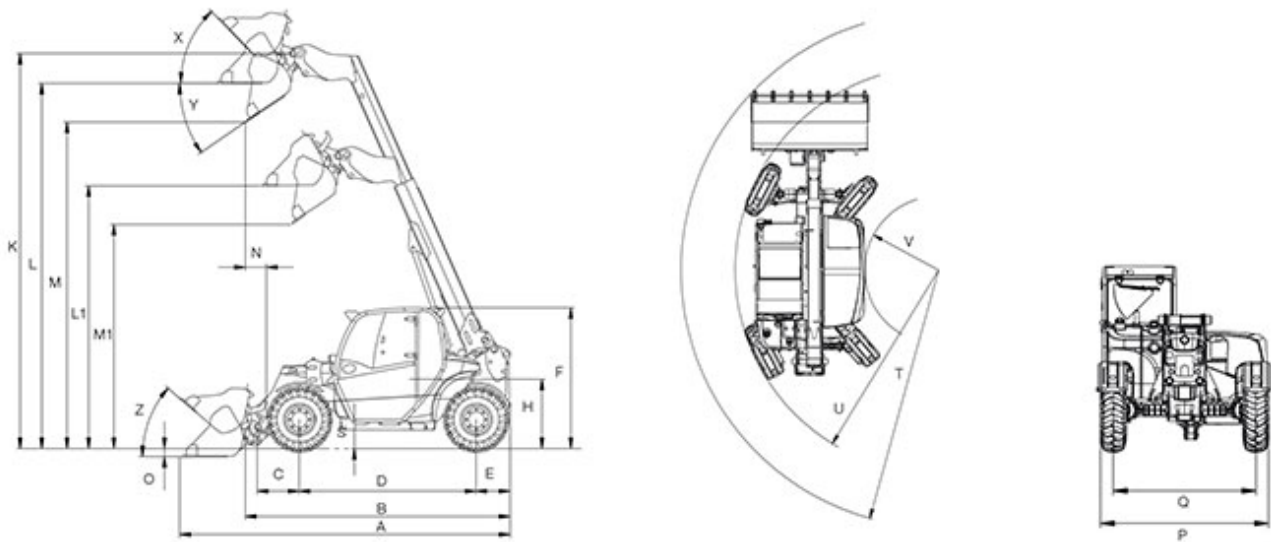
|                     |          |
|---------------------|----------|
| Steering angle max. | 2 x 38 ° |
| Flow rate           | 33 l/min |
| Pressure            | 220 bar  |

#### Kinematics

|                        |          |
|------------------------|----------|
| Payload max.           | 800 kg   |
| Lift height Pin height | 4,145 mm |



## Dimensions



|    |                                      |          |
|----|--------------------------------------|----------|
|    | Width max.                           | 1,413 mm |
| A  | Length incl. tool frame              | 3,554 mm |
| B  | Length with standard bucket          | 2,717 mm |
| C  | Center of front axle to tip of teeth | 406 mm   |
| D  | Wheelbase                            | 1,795 mm |
| E  | Rear overhang                        | 343 mm   |
| F  | Height                               | 1,900 mm |
| H  | Seat height                          | 914 mm   |
| L1 | Overhead loading height              | 2,725 mm |
| L  | Overhead loading height              | 3,799 mm |
| M1 | Dumping height                       | 2,244 mm |
| M  | Dumping height                       | 3,318 mm |
| N  | Dump reach                           | 533 mm   |



|   |                       |          |
|---|-----------------------|----------|
| O | Scraping depth        | 114 mm   |
| P | Width                 | 1,413 mm |
| Q | Track width           | 1,252 mm |
| S | Ground clearance      | 223 mm   |
| T | Radius                | 3,034 mm |
| U | Radius                | 2,227 mm |
| V | Inside turning radius | 595 mm   |
| X | Reverse roll angle    | 52 °     |
| Y | Tip-out angle         | 32 °     |
| Z | Reverse roll angle    | 44 °     |
|   | Stack height          | 3,901 mm |

**Information on suitable accessories can be found on our website.**

The right to make changes is reserved in the interests of ongoing further developments. You can find more information on the engine power in the operator's manual. The actual power output figures may vary due to specific operating conditions.

Information on suitable accessories can be found on our website. More detailed information on engine power can be found in the operator's manual; the stated power may vary due to specific operating conditions. Subject to alterations and errors excepted. Applicable also to illustrations. Copyright © 2017 Kramer-Werke GmbH.