

# DW90

## Wheel Dumpers



**WACKER  
NEUSON**  
*all it takes!*



### Unbeatable off-road

Uneven ground conditions are the area of application where the wheel dumper DW90 is most at home. This is where its strengths are displayed to best advantage: hydrostatic 4-wheel drive with ECO mode, exceptional off-road capability, a wear-free spring-loaded parking brake, and a cabin with optional skip grating. The optimum operator environment and the high level of safety features round off the range of the transport giant with a payload of 9,000 kg and a high skip volume.

- Minimum consumption, optimum power use, easy to operate: the hydrostatic 4-wheel drive with automatic ECO mode and automatic brake light
- Standard auto-stop function, which automatically switches off the machine after a set time
- Completely maintenance-free spring-loaded parking brake is automatically activated when the engine is stopped
- The entry in signal color increases safety and gives the steps and handle better visibility.

## DW90 Technical specifications

### Operating data

Payload	9,000 kg
Shipping weight ROPS	4,268 kg
Shipping weight Cabin	4,583 kg
Operating weight ROPS	4,412 kg
Operating weight Cabin	4,727 kg
Skip capacity struck	3,600 l
Skip capacity heaped	4,500 l
Skip capacity water volume	2,350 l

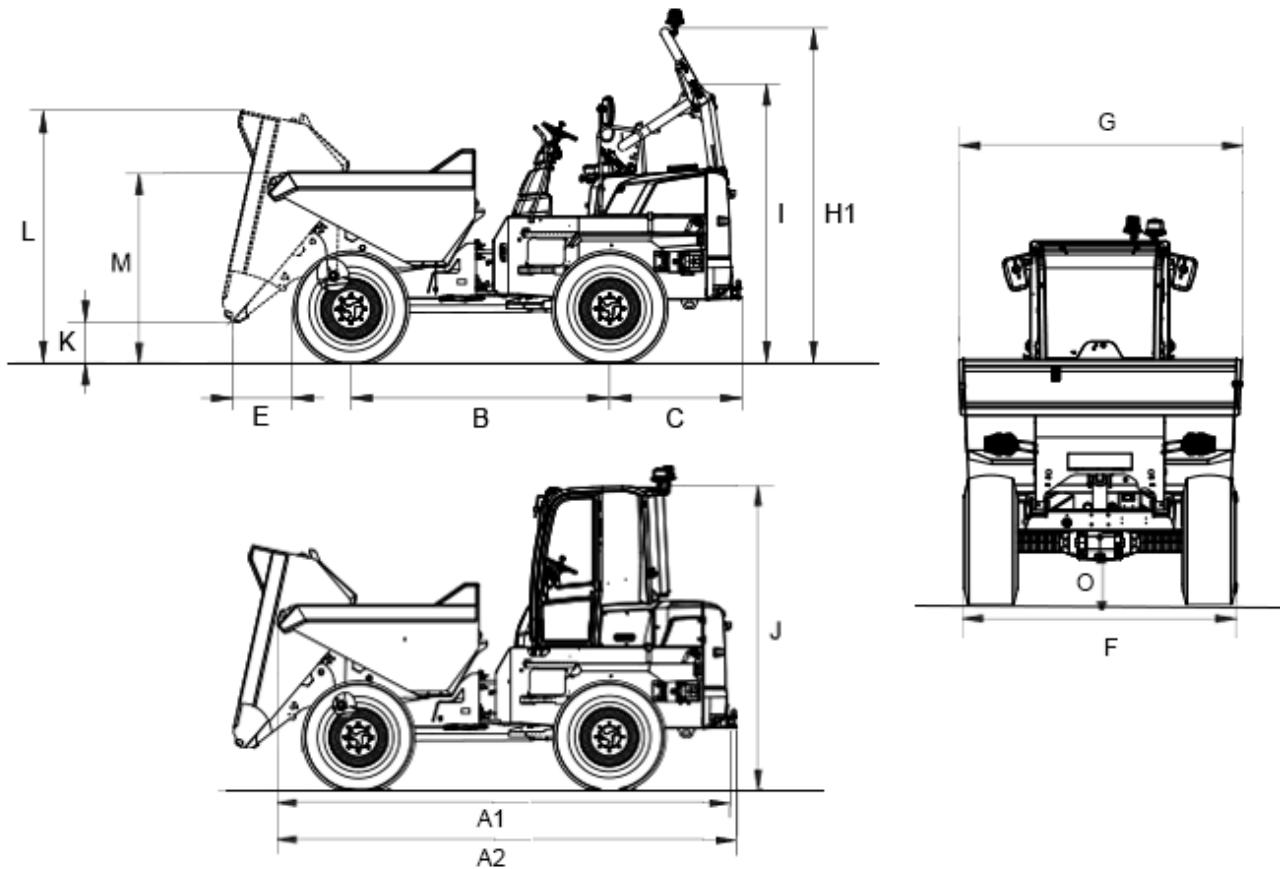
### Engine / Motor

Engine / Motor manufacturer	DEUTZ
Engine / Motor type	TD 2.9
Engine / Motor	water-cooled 4-cylinder turbo-diesel
Engine performance according to ISO 3046/1	55.4 kW
Emission standards stage	5
Displacement	2,900 cm <sup>3</sup>
Traction drive	4WD, hydrostatic incl. ECO mode
Travel speed	25 km/h
Articulation angle	28 °
Pendulum angle	11.5 °
Turning radius	5,750 mm
Gradeability	50 %
Steering pump	Axial piston pump
Flow rate	123 l/min
Operating pressure	473 bar
Duty pump	External gear pump
Operating pressure	240 bar

### Battery

Battery	100 Ah
Battery	14 V

## DW90 Dimensions



		Front tip skip
A1	Overall length	4,670 mm
A2	Overall length w/ trailer hitch	4,729 mm
B	Wheelbase	2,700 mm
C	Rear overhang	1,263 mm
E	Dumping distance	514 mm
F	Width	2,420 mm
G	Skip width	2,486 mm
H	Height ROPS	3,280 mm
I	Height ROPS tilted	2,618 mm
J	Height cabine	3,066 mm
K	Dump height max.	374 mm
L	Skip height tilted	2,580 mm
M	Skip height	2,003 mm
O	Ground clearance	396 mm
--	Dump angle	49 °

Please note: that product availability can vary from country to country. It is possible that information / products may not be available in your country. More detailed information on engine power can be found in the operator's manual; the stated power may vary due to specific operating conditions. Subject to alterations and errors excepted. Applicable also to illustrations.

Copyright © 2021 Wacker Neuson SE.